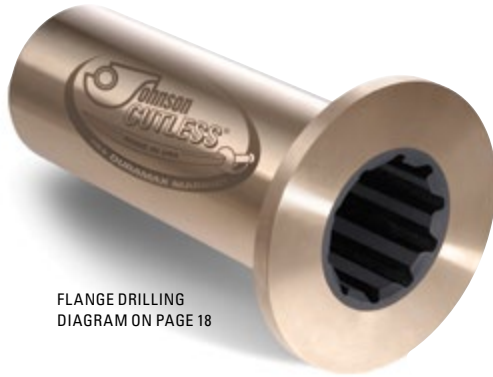


Solid Naval Brass Flanged Bearings

STRUT OR AFT STERN TUBE



FLANGE DRILLING
DIAGRAM ON PAGE 18

Johnson Cutless® Flanged Bearings are centrifugally cast naval brass with an integral flange for bolting to stern tube or strut housing to retain bearing and prevent rotation in housing. Specially formulated oil and chemical resistant nitrile rubber is securely bonded to the shell. Shells are heavy walled providing structural strength and can be step turned if desired. Flanges are furnished UN-DRILLED unless specified. See page 18 for Drilling Diagrams. For Split and Stepped Styles see pages 14-17.

PRECAUTION:

When shrink fitting of the bearing is required, chilling must be achieved by gradual cooling to not more than minus 20°F(-28°C) using freezer or regular ice (DO NOT DRY ICE). NOTE: Pounding or shocking the bearing while in the chilled state could cause the rubber to separate from the shell.

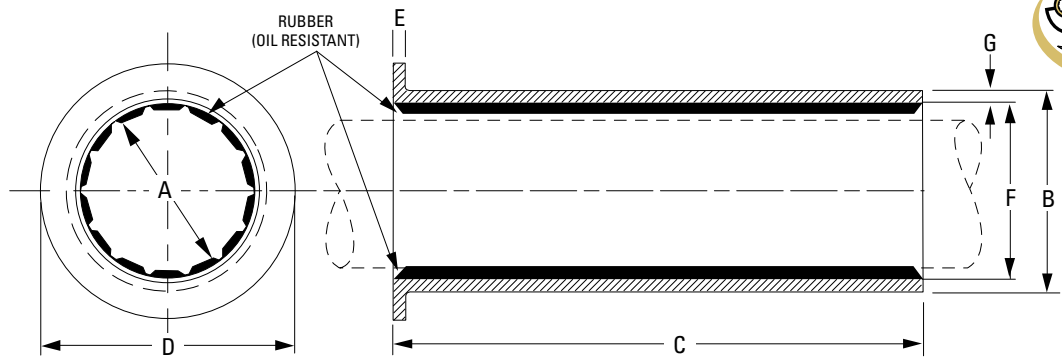
Approved Bearings: Johnson Cutless® Naval Brass Flanged Bearings meet military specification MIL-DTL-17901C (SH) Class II Full-Molded type and have full type approval from The American Bureau of Shipping.

Part No.	Code	A Shaft Diameter		B Outside Diameter		C Length		D Flange Diameter		E Flange Thickness		F Metal I.D.		G Metal Thickness		Gross Wt.	
		inch	mm	inch	mm	inch	mm	inch	mm	inch	mm	inch	mm	inch	mm	lbs.	kg.
860512102	BRACE	2	50.80	3	76.20	8	203.20	5	127.00	3/8	9.53	25/8	66.68	3/16	4.76	7	3.2
860642100	BROAD	2 1/2	63.50	3 3/8	85.73	10	254.00	5 1/2	139.70	3/8	9.53	3 1/8	79.38	1/8	3.18	9	4.1
860762100	CATCH	3	76.20	4 1/4	107.95	12	304.80	6 3/4	171.45	1/2	12.70	3 3/4	95.25	1/4	6.35	20	9.1
860832100	CLAMP	3 1/4	82.55	4 1/2	114.30	13	330.20	7	177.80	1/2	12.70	4	101.60	1/4	6.35	22	10.0
860892100	CRANK	3 1/2	88.90	4 3/4	120.65	12 1/2	317.50	6 3/4	171.45	1/2	12.70	4 1/4	107.95	1/4	6.35	21	9.5
860892101	CLEAR	3 1/2	88.90	4 7/8	123.83	14	355.60	7 3/8	187.33	1/2	12.70	4 1/4	107.95	5/16	7.94	29	13.2
860952100	CIVIL	3 3/4	95.25	5 1/4	133.35	15	381.00	7 3/4	196.85	1/2	12.70	4 5/8	117.48	5/16	7.94	32	14.5
861022100	DRAFT	4	101.60	5 1/2	139.70	16	406.40	8	203.20	1/2	12.70	4 7/8	123.83	5/16	7.94	36	16.3
861082100	DREAD	4 1/4	107.95	5 3/4	146.05	17	431.80	8 1/4	209.55	1/2	12.70	5 1/8	130.18	5/16	7.94	48	21.8
861112100	DANCE	4 3/8	111.13	6	152.40	22	558.80	8 7/8	225.43	1/2	12.70	5 3/8	136.53	5/16	7.94	64	29.0
861152100	DRINK	4 1/2	114.30	6	152.40	18	457.20	8 7/8	225.43	1/2	12.70	5 3/8	136.53	5/16	7.94	56	25.4
861212100	DROVE	4 3/4	120.65	6 1/4	158.75	19	482.60	9 1/8	231.78	1/2	12.70	5 5/8	142.88	5/16	7.94	62	28.1
861272100	EARTH	5	127.00	6 3/4	171.45	20	508.00	9 5/8	244.48	9/16	14.29	6	152.40	3/8	9.53	76	34.5
861342100	EASEL	5 1/4	133.35	6 7/8	174.63	21	533.40	9 7/8	250.83	9/16	14.29	6 1/8	155.58	3/8	9.53	81	36.7
861402100	ERASE	5 1/2	139.70	7 1/4	184.15	22	558.80	10 1/4	260.35	9/16	14.29	6 1/2	165.10	3/8	9.53	86	39.0
861462100	EVENT	5 3/4	146.05	7 1/4	184.15	23	584.20	10 1/4	260.35	9/16	14.29	6 1/2	165.10	3/8	9.53	88	39.9
861532100	FABLE	6	152.40	7 3/4	196.85	15	381.00	12 1/4	311.15	9/16	14.29	6 1/2	165.10	3/8	9.53	75	34.0
861532101	FAULT	6	152.40	7 3/4	196.85	24	609.60	11	279.40	9/16	14.29	7	177.80	3/8	9.53	101	45.8
861592100	FENCE	6 1/8	155.58	7 7/8	200.03	22	558.80	10 1/2	266.70	9/16	14.29	7	177.80	3/8	9.53	—	—
861592100	---	6 1/4	158.75	8	203.20	22 1/2	571.50	10 5/8	269.88	9/16	14.29	7 1/8	180.98	3/8	9.53	97	44.0
861592100	---	6 3/8	161.93	8 1/8	206.38	23	584.20	10 3/4	273.05	9/16	14.29	7 1/4	184.15	3/8	9.53	—	—
861662100	FLARE	6 1/2	165.10	8 3/8	212.73	23 1/2	596.90	11	279.40	9/16	14.29	7 3/8	187.33	7/16	11.11	113	51.3
861662101	FLEET	6 1/2	165.10	8 3/8	212.73	30	762.00	11	279.40	5/8	15.88	7 1/2	190.50	7/16	11.11	141	64.0
861692100	FLUTE	6 5/8	168.28	8 1/2	215.90	15	381.00	13 1/2	342.90	5/8	15.88	7 1/2	190.50	7/16	11.11	100	45.4
861692101	FLOOR	6 5/8	168.28	8 1/2	215.90	24	609.60	11 1/4	285.75	9/16	14.29	7 5/8	193.68	7/16	11.11	133	60.3
861692103	FRANK	6 5/8	168.28	8 5/8	219.08	24	609.60	11 1/4	285.75	9/16	14.29	7 5/8	193.68	3/8	9.53	130	59.0
861722100	FROZE	6 3/4	171.45	8 3/4	222.25	24	609.60	11 1/4	285.75	5/8	15.88	7 7/8	200.03	7/16	11.11	127	57.6
861722101	FANCY	6 3/4	171.45	8 3/4	222.25	24 1/2	622.30	11 3/8	288.93	9/16	14.29	7 7/8	200.03	7/16	11.11	135	61.2
861752100	FOUND	6 7/8	174.63	8 7/8	225.43	24 1/2	622.30	11 3/8	288.93	9/16	14.29	7 7/8	200.03	1/2	12.70	134	60.8
861752101	---	6 7/8	174.63	8 7/8	225.43	25	635.00	11 1/2	292.10	9/16	14.29	8	203.20	3/16	4.76	—	—
861782100	GAVEL	7	177.80	9	228.60	25 1/2	647.70	11 5/8	295.28	9/16	14.29	8 1/8	206.38	7/16	11.11	140	63.5
861782101	GLAND	7	177.80	9 1/8	231.78	25 1/2	647.70	11 5/8	295.28	9/16	14.29	8 1/8	206.38	1/2	12.70	154	69.9
861782101	---	7 1/8	180.98	9 1/8	231.78	25 1/2	647.70	11 3/4	298.45	9/16	14.29	8 1/4	209.55	7/16	11.11	—	—
861852100	GLASS	7 1/4	184.15	9 1/4	234.95	26 1/2	673.10	11 7/8	301.63	9/16	14.29	8 3/8	212.73	7/16	11.11	150	68.0
861852100	---	7 3/8	187.33	9 1/2	241.30	27	685.80	12 1/8	307.98	9/16	14.29	8 5/8	219.08	7/16	11.11	—	—
861912100	GLORY	7 1/2	190.50	9 5/8	244.48	17 1/2	444.50	14 1/2	368.30	1	25.40	8 3/4	222.25	7/16	11.11	129	58.5
861912101	GLOBE	7 1/2	190.50	9 5/8	244.48	27 1/2	698.50	12 3/4	323.85	9/16	14.29	8 3/4	222.25	7/16	11.11	160	72.6
861912101	---	7 5/8	193.68	9 3/4	247.65	28	711.20	12 3/8	314.33	9/16	14.29	8 3/4	222.25	1/2	12.70	—	—
861972100	GIPSY	7 3/4	196.85	9 7/8	250.83	28 1/2	723.90	12 1/2	317.50	9/16	14.29	8 7/8	225.43	1/2	12.70	180	81.6
861972100	---	7 7/8	200.03	10	254.00	29 1/2	749.30	12 5/8	320.68	9/16	14.29	9 1/8	231.78	7/16	11.11	—	—
862042101	HEART	8	203.20	10 1/4	260.35	29 1/2	749.30	13 1/4	336.55	5/8	15.88	9 1/2	241.30	3/8	9.53	166	75.3
862042102	HEDGE	8	203.20	10 1/2	266.70	29 1/2	749.30	13 1/4	336.55	5/8	15.88	9 1/2	241.30	1/2	12.70	210	95.3
862102100	---	8 1/8	206.38	10 3/8	263.53	30	762.00	13 3/8	339.73	5/8	15.88	9 3/8	238.13	1/2	12.70	—	—
862102100	HITCH	8 1/4	209.55	10 1/2	266.70	30 1/2	774.70	13 1/2	342.90	5/8	15.88	9 1/2	241.30	1/2	12.70	208	94.3
862102100	---	8 3/8	212.73	10 5/8	269.88	31	787.40	13 5/8	346.08	5/8	15.88	9 5/8	244.48	1/2	12.70	—	—
862172100	HOIST	8 1/2	215.90	10 3/4	273.05	31 1/2	800.10	13 3/4	349.25	5/8	15.88	9 3/4	247.65	1/2	12.70	215	97.5
862172100	---	8 5/8	219.08	10 7/8	276.23	32	812.80	13 7/8	352.43	5/8	15.88	9 7/8	250.83	1	25.40	—	—
862232100	HOVER	8 3/4	222.25	11	279.40	32 1/2	825.50	14	355.60	5/8	15.88	10	254.00	1/2	12.70	233	105.7
862292100	---	8 7/8	225.43	11 1/8	282.58	33	838.20	14 1/8	358.78	3/4	19.05	10 1/8	257.18	1/2	12.70	—	—
862292100	INFRA	9	228.60	11 1/4	285.75	33 1/2	850.90	14 1/4	361.95	3/4	19.05	10 1/4	260.35	1/2	12.70	254	115.2
862292101	IDEAL	9	228.60	11 1/2	292.10	33 3/8	847.73	15	381.00	3/4	19.05	10 1/4	260.35	5/8	15.88	301	136.5

NOTE: Dimensions for each size bearing continue across both pages.



A = SHAFT DIAMETER
 B = OUTSIDE DIAMETER
 C = LENGTH
 D = FLANGE DIAMETER
 E = FLANGE THICKNESS
 F = METAL I.D.
 G = METAL THICKNESS



Part No.	Code	A Shaft Diameter		B Outside Diameter		C Length		D Flange Diameter		E Flange Thickness		F Metal I.D.		G Metal Thickness		Gross Wt.	
		inch	mm	inch	mm	inch	mm	inch	mm	inch	mm	inch	mm	inch	mm	lbs.	kg.
862332101	---	9 1/8	231.78	11 3/8	288.93	34	863.60	14 1/2	368.30	3/4	19.05	10 3/8	263.53	1/2	12.70	---	---
862332100	INNER	9 1/8	231.78	11 1/2	292.10	34 1/2	876.30	16 3/8	415.93	5/8	15.88	10 3/8	263.53	9/16	14.29	284	128.8
862362100	IRISH	9 1/4	234.95	11 1/2	292.10	34 1/2	876.30	14 5/8	371.48	11/16	17.46	10 1/2	266.70	1/2	12.70	260	117.9
862392100	---	9 3/8	238.13	11 5/8	295.28	35	889.00	14 3/4	374.65	3/4	19.05	10 5/8	269.88	1/2	12.70	---	---
862422100	INSET	9 1/2	241.30	11 3/4	298.45	35 1/2	901.70	14 7/8	377.83	3/4	19.05	10 3/4	273.05	1/2	12.70	274	124.3
862452100	---	9 5/8	244.48	11 7/8	301.63	36	914.40	15	381.00	3/4	19.05	10 7/8	276.23	1/2	12.70	---	---
862482100	IVORY	9 3/4	247.65	12 1/8	307.98	36 1/2	927.10	15 1/4	387.35	3/4	19.05	11	279.40	9/16	14.29	307	139.3
---	---	9 7/8	250.83	12 1/4	311.15	37	939.80	15 3/8	390.53	3/4	19.05	11 1/8	282.58	9/16	14.29	---	---
862552100	JEWEL	10	254.00	12 3/8	314.33	37 1/2	952.50	15 1/2	393.70	3/4	19.05	11 1/4	285.75	9/16	14.29	333	151.1
862582100	---	10 1/8	257.18	12 1/2	317.50	38	965.20	15 5/8	396.88	3/4	19.05	11 1/4	285.75	5/8	15.88	---	---
862612100	JETTY	10 1/4	260.35	12 5/8	320.68	38 1/2	977.90	15 7/8	403.23	3/4	19.05	11 1/2	292.10	9/16	14.29	352	159.7
---	---	10 3/8	263.53	12 3/4	323.85	39	990.60	16	406.40	3/4	19.05	11 5/8	295.28	9/16	14.29	---	---
862682100	JUMBO	10 1/2	266.70	12 7/8	327.03	39 1/2	1003.30	16 1/8	409.58	3/4	19.05	11 3/4	298.45	9/16	14.29	350	158.8
---	---	10 5/8	269.88	13	330.20	40	1016.00	16 1/4	412.75	3/4	19.05	11 7/8	301.63	9/16	14.29	---	---
862742100	JUDGE	10 3/4	273.05	13 1/8	333.38	40 1/2	1028.70	16 3/8	415.93	3/4	19.05	12	304.80	9/16	14.29	368	166.9
---	---	10 7/8	276.23	13 1/4	336.55	41	1041.40	17	431.80	3/4	19.05	12 1/8	307.98	9/16	14.29	---	---
862802100	KNOCK	11	279.40	13 1/2	342.90	41 1/2	1054.10	17 1/4	438.15	3/4	19.05	12 3/8	314.33	9/16	14.29	420	190.5
---	---	11 1/8	282.58	13 5/8	346.08	42	1066.80	17 3/8	441.33	3/4	19.05	12 1/2	317.50	9/16	14.29	---	---
862872100	KRAFT	11 1/4	285.75	13 3/4	349.25	42 1/2	1079.50	17 1/2	444.50	3/4	19.05	12 5/8	320.68	9/16	14.29	432	196.0
---	---	11 3/8	288.93	14	355.60	43	1092.20	17 3/4	450.85	3/4	19.05	12 3/4	323.85	5/8	15.88	---	---
862932101	KNEEL	11 1/2	292.10	14 1/8	358.78	43 1/2	1104.90	17 7/8	454.03	3/4	19.05	12 7/8	327.03	5/8	15.88	482	218.6
862932100	KNIFE	11 1/2	292.10	14 7/8	377.83	50 3/4	1289.05	20 1/4	514.35	1 1/4	31.75	12 7/8	327.03	1	25.40	860	390.1
862962100	---	11 5/8	295.28	14 1/4	361.95	44	1117.60	18	457.20	3/4	19.05	13	330.20	5/8	15.88	---	---
862992100	KNOTS	11 3/4	298.45	14 3/8	365.13	44 1/2	1130.30	18 1/8	460.38	3/4	19.05	13 1/8	333.38	5/8	15.88	502	227.7
---	---	11 7/8	301.63	14 1/2	368.30	45	1143.00	18 1/4	463.55	3/4	19.05	13 1/4	336.55	5/8	15.88	---	---
863062100	LABOR	12	304.80	14 3/4	374.65	45 1/2	1155.70	18 1/2	469.90	3/4	19.05	13 1/2	342.90	5/8	15.88	516	234.1
863092100	LOGAN	12 1/8	307.98	14 7/8	377.83	46	1168.40	18 5/8	473.08	3/4	19.05	13 5/8	346.08	5/8	15.88	---	---
863122100	LANCE	12 1/4	311.15	15	381.00	46 1/2	1181.10	18 3/4	476.25	3/4	19.05	13 3/4	349.25	5/8	15.88	539	244.5
---	LEASE	12 3/8	314.33	15 1/8	384.18	47	1193.80	18 7/8	479.43	3/4	19.05	13 7/8	352.43	5/8	15.88	---	---
863182100	LAYER	12 1/2	317.50	15 1/4	387.35	47 1/2	1206.50	19	482.60	3/4	19.05	14	355.60	5/8	15.88	554	251.3
863222100	LOGIC	12 5/8	320.68	15 3/8	390.53	48	1219.20	19 1/8	485.78	3/4	19.05	14 1/8	358.78	5/8	15.88	582	264.0
863252100	MILKY	12 3/4	323.85	15 1/2	393.70	48 1/2	1231.90	19 1/4	488.95	3/4	19.05	14 1/4	361.95	5/8	15.88	---	---
863282100	MUSIC	12 7/8	327.03	15 5/8	396.88	49	1244.60	19 3/8	492.13	3/4	19.05	14 3/8	365.13	5/8	15.88	---	---
863312100	MINCE	13	330.20	15 7/8	403.23	50	1270.00	19 5/8	498.48	7/8	22.23	14 1/2	368.30	11/16	17.46	674	305.7
863342100	MITTY	13 1/8	333.38	16	406.40	50 1/2	1282.70	19 3/4	501.65	7/8	22.23	14 1/2	368.30	3/4	19.05	710	322.1
863372100	MISTY	13 1/4	336.55	16 1/8	409.58	51	1295.40	19 7/8	504.83	7/8	22.23	14 1/2	368.30	13/16	20.64	---	---
863412100	NIFTY	13 3/8	339.73	16 1/4	412.75	51 1/2	1308.10	19 7/8	504.83	7/8	22.23	14 1/2	368.30	7/8	22.23	696	315.7
863442100	NIECE	13 1/2	342.90	16 3/8	415.93	52	1320.80	20 1/8	511.18	7/8	22.23	15	381.00	11/16	17.46	697	316.2
863472100	NOVEL	13 5/8	346.08	16 1/2	419.10	52 1/2	1333.50	20 1/4	514.35	7/8	22.23	15 1/8	384.18	11/16	17.46	---	---
863502100	ORTHA	13 3/4	349.25	16 5/8	422.28	53	1346.20	20 3/8	517.53	7/8	22.23	15 1/4	387.35	11/16	17.46	---	---
---	OGGLE	13 7/8	352.43	16 3/4	425.45	53 1/2	1358.90	20 1/2	520.70	7/8	22.23	15 3/8	390.53	11/16	17.46	---	---
863572100	OPERA	14	355.60	16 7/8	428.63	54	1371.60	20 5/8	523.88	7/8	22.23	15 1/2	393.70	11/16	17.46	735	333.4
---	PURSE	14 1/8	358.78	17	431.80	54 1/2	1384.30	20 3/4	527.05	7/8	22.23	15 5/8	396.88	11/16	17.46	---	---
---	POLAR	14 1/4	361.95	17 1/8	435.98	55	1397.00	20 7/8	530.23	7/8	22.23	15 3/4	400.05	11/16	17.46	---	---
863662100	POINT	14 3/8	365.13	17 1/4	438.15	55 1/2	1409.70	21	533.40	7/8	22.23	15 7/8	403.23	11/16	17.46	842	381.9
863692100	PRUNE	14 1/2	368.30	17 1/2	444.50	56	1422.40	21 1/4	539.75	7/8	22.23	16	406.40	3/4	19.05	852	386.5
---	PRICE	14 5/8	371.48	17 5/8	447.68	56 1/2	1435.10	21 3/8	542.93	7/8	22.23	16 1/8	409.58	3/4	19.05	---	---
---	PUNCH	14 3/4	374.65	17 3/4	450.85	57	1447.80	21 1/2	546.10	7/8	22.23	16 1/4	412.75	3/4	19.05	---	---
---	QUAKE	14 7/8	377.83	17 7/8	454.03	57 1/2	1460.50	21 5/8	549.28	7/8	22.23	16 3/8	415.93	3/4	19.05	---	---
863822100	QUIET	15	381.00	18	457.20	58	1473.20	21 3/4	552.45	7/8	22.23	16 1/2	419.10	3/4	19.05	905	410.5

NOTE: Dimensions for each size bearing continue across both pages.

NAVAL BRASS FLANGED

Split Naval Brass Flanged Bearings

SPLIT STRUT OR AFT STERN TUBE



FLANGE DRILLING
DIAGRAM ON PAGE 18

Johnson Cutless® Flanged Bearings are centrifugally cast naval brass with an integral flange for bolting to stern tube or strut housing to retain bearing and prevent rotation in housing. Specially formulated oil and chemical resistant nitrile rubber is securely bonded to the shell.

Split styles offer ease of installation and change. Shells are heavy walled providing structural strength and can be step turned if desired. Flanges are furnished UN-DRILLED unless specified. See page 18 for Drilling Diagrams.

PRECAUTION:

When shrink fitting of the bearing is required, chilling must be achieved by gradual cooling to not more than minus 20°F(-28°C) using freezer or regular ice (**DO NOT DRY ICE**). NOTE: Pounding or shocking the bearing while in the chilled state could cause the rubber to separate from the shell.

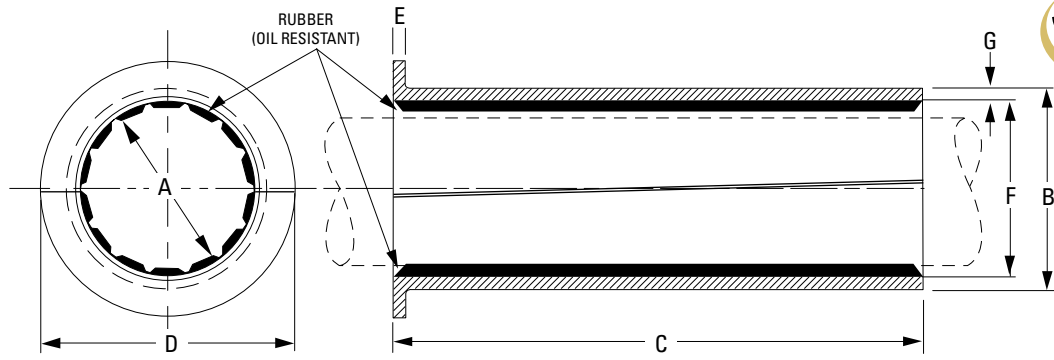
Approved Bearings: Johnson Cutless® Naval Brass Flanged Bearings meet military specification MIL-DTL-17901C (SH) Class II Full-Molded type and have full type approval from The American Bureau of Shipping.

Part No.	Code	A Shaft Diameter		B Outside Diameter		C Length		D Flange Diameter		E Flange Thickness		F Metal I.D.		G Metal Thickness	
		inch	mm	inch	mm	inch	mm	inch	mm	inch	mm	inch	mm	inch	mm
861532120	FAITH	6	152.40	8 1/2	215.90	20	508.00	11 5/8	295.28	5/8	15.88	7	177.80	3/4	19.05
861532121	FARCE	6	152.40	8 1/2	215.90	24	609.60	11 5/8	295.28	5/8	15.88	7	177.80	3/4	19.05
861532123	FERRY	6	152.40	8 3/4	222.25	24	609.60	11 5/8	295.28	5/8	15.88	7	177.80	7/8	22.23
—	—	6	152.40	7 7/8	200.03	21 1/2	546.10	10 3/8	263.53	9/16	14.29	7	177.80	7/16	11.11
—	—	6 1/8	155.58	8	203.20	22	558.80	10 1/2	266.70	9/16	14.29	7 1/8	180.98	7/16	11.11
—	—	6 1/4	158.75	8 1/8	206.38	22 1/2	571.50	10 5/8	269.88	9/16	14.29	7 1/4	184.15	7/16	11.11
861622120	—	6 3/8	161.93	8 1/4	209.55	23	584.20	10 3/4	273.05	9/16	14.29	7 3/8	187.33	7/16	11.11
—	—	6 1/2	165.10	8 3/8	212.73	23 1/2	596.90	11	279.40	9/16	14.29	7 1/2	190.50	7/16	11.11
—	—	6 5/8	168.28	8 5/8	219.08	24	609.60	11 1/4	285.75	9/16	14.29	7 5/8	193.68	1/2	12.70
861722120	FORCE	6 3/4	171.45	8 3/4	222.25	24	609.60	11 1/4	285.75	9/16	14.29	7 7/8	200.03	7/16	11.11
861722122	FLASH	6 3/4	171.45	8 7/8	225.43	24 1/2	622.30	11 3/8	288.93	9/16	14.29	7 7/8	200.03	1/2	12.70
—	—	7	177.80	9 1/8	231.78	25 1/2	647.70	11 5/8	295.28	9/16	14.29	8 1/8	206.38	1/2	12.70
—	—	7 1/8	180.98	9 1/4	234.95	25 1/2	647.70	11 3/4	298.45	9/16	14.29	8 1/4	209.55	1/2	12.70
—	—	7 1/4	184.15	9 3/8	238.13	26 1/2	673.10	11 7/8	301.63	9/16	14.29	8 3/8	212.73	1/2	12.70
—	—	7 3/8	187.33	9 5/8	244.48	27	685.80	12 1/8	307.98	9/16	14.29	8 5/8	219.08	1/2	12.70
861912120	GRADE	7 1/2	190.50	9 7/8	250.83	27 1/2	698.50	10 1/4	260.35	9/16	14.29	8 3/4	222.25	9/16	14.29
861912121	GRAIN	7 1/2	190.50	9 7/8	250.83	27 1/2	698.50	12 3/8	314.33	9/16	14.29	8 3/4	222.25	9/16	14.29
861912122	—	7 1/2	190.50	9 3/4	247.65	27 1/2	698.50	12 1/4	311.15	9/16	14.29	8 3/4	222.25	1/2	12.70
—	—	7 5/8	193.68	9 7/8	250.83	28	711.20	12 3/8	314.33	9/16	14.29	8 3/4	222.25	9/16	14.29
—	—	7 3/4	196.85	10	254.00	28 1/2	723.90	12 1/2	317.50	9/16	14.29	8 7/8	225.43	9/16	14.29
—	—	7 7/8	200.03	10 1/8	257.18	29	736.60	12 5/8	320.68	9/16	14.29	9 1/8	231.78	1/2	12.70
862042120	—	8	203.20	10 3/8	263.53	29 1/2	749.30	13 1/4	336.55	5/8	15.88	9 1/4	234.95	9/16	14.29
—	—	8 1/8	206.38	10 1/2	266.70	30	762.00	13 3/8	339.73	5/8	15.88	9 3/8	238.13	9/16	14.29
—	—	8 1/4	209.55	10 5/8	269.88	30 1/2	774.70	13 1/2	342.90	5/8	15.88	9 1/2	241.30	9/16	14.29
—	—	8 3/8	212.73	10 3/4	273.05	31	787.40	13 5/8	346.08	5/8	15.88	9 5/8	244.48	9/16	14.29
—	—	8 1/2	215.90	10 7/8	276.23	31 1/2	800.10	13 3/4	349.25	5/8	15.88	9 3/4	247.65	9/16	14.29
—	—	8 5/8	219.08	11	279.40	32	812.80	13 7/8	352.43	5/8	15.88	9 7/8	250.83	9/16	14.29
—	—	8 3/4	222.25	11 1/8	282.58	32 1/2	825.50	14	355.60	5/8	15.88	10	254.00	9/16	14.29
—	—	8 7/8	225.43	11 1/4	285.75	33	838.20	14 1/8	358.78	3/4	19.05	10 1/8	257.18	9/16	14.29
862292120	—	9	228.60	11 3/8	288.93	33 1/2	850.90	14 1/4	361.95	3/4	19.05	10 1/4	260.35	9/16	14.29
862332120	—	9 1/8	231.78	11 1/2	292.10	34	863.60	14 1/2	368.30	3/4	19.05	10 3/8	263.53	9/16	14.29
—	—	9 1/4	234.95	11 5/8	295.28	34 1/2	876.30	14 5/8	371.48	3/4	19.05	10 1/2	266.70	9/16	14.29
—	—	9 3/8	238.13	11 3/4	298.45	35	889.00	14 3/4	374.65	3/4	19.05	10 5/8	269.88	9/16	14.29
862422120	INSUL	9 1/2	241.30	11 7/8	301.63	20 3/4	527.05	14 3/4	374.65	1	25.40	10 3/4	273.05	9/16	14.29
862422121	—	9 1/2	241.30	11 7/8	301.63	35 1/2	901.70	14 7/8	377.83	3/4	19.05	10 3/4	273.05	9/16	14.29
—	—	9 5/8	244.48	12	304.80	36	914.40	15	381.00	3/4	19.05	10 7/8	276.23	9/16	14.29
—	—	9 3/4	247.65	12 1/4	311.15	36 1/2	927.10	15 1/4	387.35	3/4	19.05	11	279.40	5/8	15.88
—	—	9 7/8	250.83	12 3/8	314.33	37	939.80	15 3/8	390.53	3/4	19.05	11 1/8	282.58	5/8	15.88
—	—	10	254.00	12 1/2	317.50	37 1/2	952.50	15 1/2	393.70	3/4	19.05	11 1/4	285.75	11/16	17.46

NOTE: Dimensions for each size bearing continue across both pages.



- A = SHAFT DIAMETER
- B = OUTSIDE DIAMETER
- C = LENGTH
- D = FLANGE DIAMETER
- E = FLANGE THICKNESS
- F = METAL I.D.
- G = METAL THICKNESS



To Facilitate Assembly and Removal of Bearing — Split on Taper as Follows:
 Split Above or Below Ctr. Line, At End: Bearing Length 1/16 Up to and including 36" long

Part No.	Code	A Shaft Diameter		B Outside Diameter		C Length		D Flange Diameter		E Flange Thickness		F Metal I.D.		G Metal Thickness	
		inch	mm	inch	mm	inch	mm	inch	mm	inch	mm	inch	mm	inch	mm
862582120	—	10 1/8	257.18	12 5/8	320.68	38	965.20	15 5/8	396.88	3/4	19.05	11 1/4	285.75	5/8	15.88
864612120	—	10 1/4	260.35	12 3/4	323.85	38 1/2	977.90	15 7/8	403.23	3/4	19.05	11 1/2	292.10	5/8	15.88
—	—	10 3/8	263.53	12 7/8	327.03	39	990.60	16	406.40	3/4	19.05	11 5/8	295.28	5/8	15.88
—	—	10 1/2	266.70	13	330.20	39 1/2	1,003.30	16 1/8	409.58	3/4	19.05	11 3/4	298.45	5/8	15.88
—	—	10 5/8	269.88	13 1/8	333.38	40	1,016.00	16 1/4	412.75	3/4	19.05	11 7/8	301.63	5/8	15.88
—	—	10 3/4	273.05	13 1/4	336.55	40 1/2	1,028.70	16 3/8	415.93	3/4	19.05	12	304.80	5/8	15.88
—	—	10 7/8	276.23	13 3/8	339.73	41	1,041.40	17	431.80	3/4	19.05	12 1/8	307.98	5/8	15.88
—	—	11	279.40	13 5/8	346.08	41 1/2	1,054.10	17 1/4	438.15	3/4	19.05	12 3/8	314.33	5/8	15.88
—	—	11 1/8	282.58	13 3/4	349.25	42	1,066.80	17 3/8	441.33	3/4	19.05	12 1/2	317.50	5/8	15.88
—	—	11 1/4	285.75	13 7/8	352.43	42 1/2	1,079.50	17 1/2	444.50	3/4	19.05	12 5/8	320.68	5/8	15.88
—	—	11 3/8	288.93	14 1/8	358.78	43	1,092.20	17 3/4	450.85	3/4	19.05	12 3/4	323.85	11/16	17.46
—	—	11 1/2	292.10	14 1/4	361.95	43 1/2	1,104.90	17 7/8	454.03	3/4	19.05	12 7/8	327.03	11/16	17.46
—	—	11 5/8	295.28	14 3/8	365.13	44	1,117.60	18	457.20	3/4	19.05	13	330.20	11/16	17.46
—	—	11 3/4	298.45	14 1/2	368.30	44 1/2	1,130.30	18 1/8	460.38	3/4	19.05	13 1/8	333.38	11/16	17.46
—	—	11 7/8	301.63	14 5/8	371.48	45	1,143.00	18 1/4	463.55	3/4	19.05	13 1/4	336.55	11/16	17.46
—	—	12	304.80	14 7/8	377.83	45 1/2	1,155.70	18 1/2	469.90	3/4	19.05	13 1/2	342.90	11/16	17.46
—	—	12 1/8	307.98	15	381.00	46	1,168.40	18 5/8	473.08	3/4	19.05	13 5/8	346.08	11/16	17.46
—	—	12 1/4	311.15	15 1/8	384.18	46 1/2	1,181.10	18 3/4	476.25	3/4	19.05	13 3/4	349.25	11/16	17.46
—	—	12 3/8	314.33	15 1/4	387.35	47	1,193.80	18 7/8	479.43	3/4	19.05	13 7/8	352.43	11/16	17.46
863182120	—	12 1/2	317.50	15 3/8	390.53	47 1/2	1,206.50	19	482.60	3/4	19.05	14	355.60	11/16	17.46
—	—	12 5/8	320.68	15 1/2	393.70	48	1,219.20	19 1/8	485.78	3/4	19.05	14 1/8	358.78	11/16	17.46
—	—	12 3/4	323.85	15 5/8	396.88	48 1/2	1,231.90	19 1/4	488.95	3/4	19.05	14 1/4	361.95	11/16	17.46
—	—	12 7/8	327.03	15 3/4	400.05	49	1,244.60	19 3/8	492.13	3/4	19.05	14 3/8	365.13	11/16	17.46
832212120	—	13	330.20	16	406.40	50	1,270.00	19 5/8	498.48	7/8	22.23	14 1/2	368.30	3/4	19.05
—	—	13 1/8	333.38	16 1/8	409.58	50 1/8	1,273.18	19 3/4	501.65	7/8	22.23	14 5/8	371.48	3/4	19.05
—	—	13 1/4	336.55	16 1/4	412.75	51	1,295.40	19 7/8	504.83	7/8	22.23	14 3/4	374.65	3/4	19.05
—	—	13 3/8	339.73	16 3/8	415.93	51 1/2	1,308.10	20	508.00	7/8	22.23	14 7/8	377.83	3/4	19.05
—	—	13 1/2	342.90	16 1/2	419.10	52	1,320.80	20 1/8	511.18	7/8	22.23	15	381.00	3/4	19.05
—	—	13 5/8	346.08	16 5/8	422.28	52 1/2	1,333.50	20 1/4	514.35	7/8	22.23	15 1/8	384.18	3/4	19.05
—	—	13 3/4	349.25	16 3/4	425.45	53	1,346.20	20 3/8	517.53	7/8	22.23	15 1/4	387.35	3/4	19.05
—	—	13 7/8	352.43	16 7/8	428.63	53 1/2	1,358.90	20 1/2	520.70	7/8	22.23	15 3/8	390.53	3/4	19.05
—	—	14	355.60	17	431.80	54	1,371.60	20 5/8	523.88	7/8	22.23	15 1/2	393.70	3/4	19.05
—	—	14 1/8	358.78	17 1/8	434.98	54 1/2	1,384.30	20 3/4	527.05	7/8	22.23	15 5/8	396.88	3/4	19.05
—	—	14 1/4	361.95	17 1/4	438.15	55	1,397.00	20 7/8	530.23	7/8	22.23	15 3/4	400.05	3/4	19.05
—	—	14 3/8	365.13	17 3/8	441.33	55 1/2	1,409.70	21	533.40	7/8	22.23	15 7/8	403.23	3/4	19.05
—	—	14 1/2	368.30	17 5/8	447.68	56	1,422.40	21 1/4	539.75	7/8	22.23	16	406.40	13/16	20.64
—	—	14 5/8	371.48	17 3/4	450.85	56 1/2	1,435.10	21 3/8	542.93	7/8	22.23	16 1/8	409.58	13/16	20.64
—	—	14 3/4	374.65	17 7/8	454.03	57	1,447.80	21 1/2	546.10	7/8	22.23	16 1/4	412.75	13/16	20.64
—	—	14 7/8	377.83	18	457.20	57 1/2	1,460.50	21 5/8	549.28	7/8	22.23	16 3/8	415.93	13/16	20.64
—	—	15	381.00	18 1/8	460.38	58	1,473.20	21 3/4	552.45	7/8	22.23	16 1/2	419.10	13/16	20.64

NAVAL BRASS FLANGED